

Rugged Metal IEEE 1101.10 Handles

For cPCI, VME64x, VXS, and VPX



FEATURES

- Patented, all metal handles in extruded aluminum
- Conform to IEEE 1101.10 specifications for electrostatic discharge, keying, and hot swap
- Designed specifically for ruggedized applications
- All metal handles offer significant improvement over nylon
 - No risk of out-gassing or burning in extreme environments
 - Extremely strong, will not warp
- Custom Colors and Labeling available upon request

Triple E - Ruggedized Eurocard Packaging



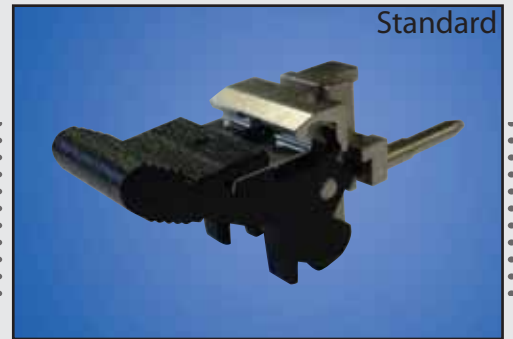
DT Version

- Classic-shaped handle, great for many applications
- Multiple black finishes standard
- Available via online store - XTech Direct

Special Order



Standard



HT High Torque

- Low profile handle, for use especially in applications with high insertion force
- Long handle withstands high actuation force
- Multiple black finishes standard
- Available via online store - XTech Direct

Special Order



Standard



LT Low Profile

- Low profile handle - maximize panel space for cutouts/labels
- Arrives as a kit to facilitate board mounting
- New assembly video online
- Available via online store - XTech Direct

Special Order



Standard



Contact our Sales Department by phone at 1-888-444-1644 or by email at tripleesales@xtech-outside.com



WWW.TRIPLEEASE.COM | 1-888-444-1644

TECHNICAL SPECIFICATIONS

Kit includes:

1 Handle and PCB Mounting Block

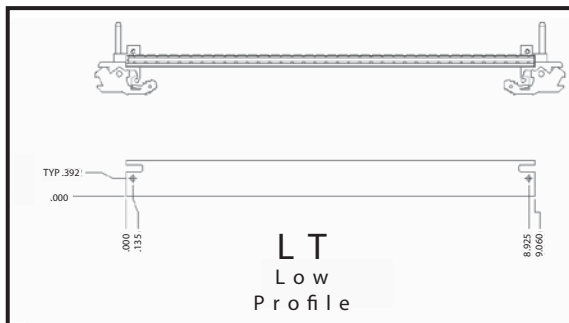
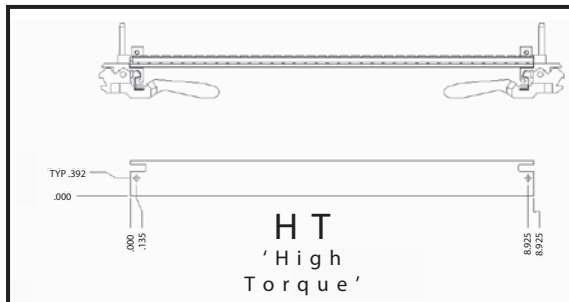
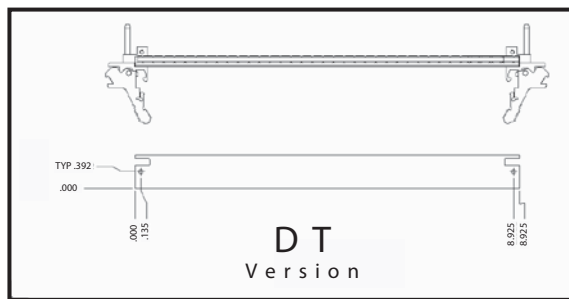
DT & HT - Fully Assembled

LT - Arrives as Kit

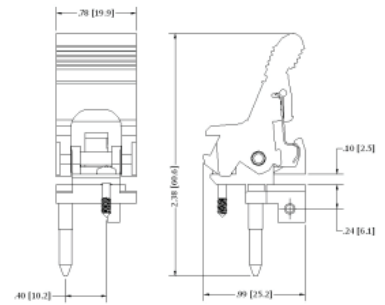
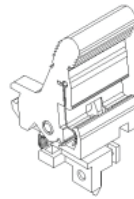
3 Screws (SS PHP M2.5 X 6, M2.5 X 8, and Combo Slot M2.5 X 10.5)

Extruded Aluminum with Robust Standard Black Powder Coat Finish

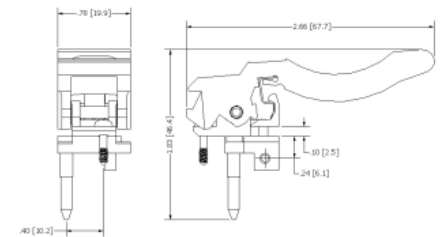
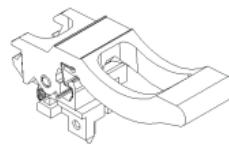
Stainless Steel Leaf Spring .030 Inches Thick for Reliable Performance



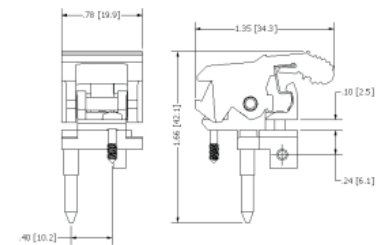
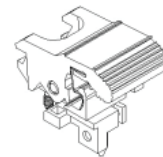
DT
Version



HT
'High
Torque'



LT
Low
Profile



P/N	Description	Finish	Order Qty
EJU-DT-T-X4-X4-AX	Upper, Standard Profile	Fine, Aluminum	Multiples of 10
EJL-DT-T-X4-X4-AX	Lower, Standard Profile	Fine, Aluminum	Multiples of 10
EJU-DT-T-X4-X4-BX	Upper, Standard Profile	Medium, Black	Multiples of 10
EJL-DT-T-X4-X4-BX	Lower, Standard Profile	Medium, Black	Multiples of 10
EJU-DT-T-X4-X4-B1	Upper, Standard Profile	Fine, Black	Multiples of 10
EJL-DT-T-X4-X4-B1	Lower, Standard Profile	Fine, Black	Multiples of 10
EJU-HT-T-X4-X4-AX	Upper, Low Profile, High Force	Fine, Aluminum	Multiples of 10
EJL-HT-T-X4-X4-AX	Lower, Low Profile, High Force	Fine, Aluminum	Multiples of 10
EJU-HT-T-X4-X4-B1	Upper, Low Profile, High Force	Fine, Black	Multiples of 10
EJL-HT-T-X4-X4-B1	Lower, Low Profile, High Force	Fine, Black	Multiples of 10
EJU-HT-T-X4-X4-BX	Upper, Low Profile, High Force	Medium, Black	Multiples of 10
EJL-HT-T-X4-X4-BX	Lower, Low Profile, High Force	Medium, Black	Multiples of 10
EJU-LT-T-X4-X4-AX	Upper, Low Profile	Fine, Aluminum	Multiples of 10
EJL-LT-T-X4-X4-AX	Lower, Low Profile	Fine, Aluminum	Multiples of 10
EJU-LT-T-X4-X4-B1	Upper, Low Profile	Fine, Black	Multiples of 10
EJL-LT-T-X4-X4-B1	Lower, Low Profile	Fine, Black	Multiples of 10
EJU-LT-T-X4-X4-BX	Upper, Low Profile	Medium, Black	Multiples of 10
EJL-LT-T-X4-X4-BX	Lower, Low Profile	Medium, Black	Multiples of 10
127761	Screw-Pan Combo Panel Mount	SS, M2.5 X 10.5	Kit of 100

Shop online at www.xtech-outside.com/store



tripleesales@xtech-outside.com
358 North Street, Randolph, MA 02368
www.tripleease.com
US Sales: 1-888-444-1644